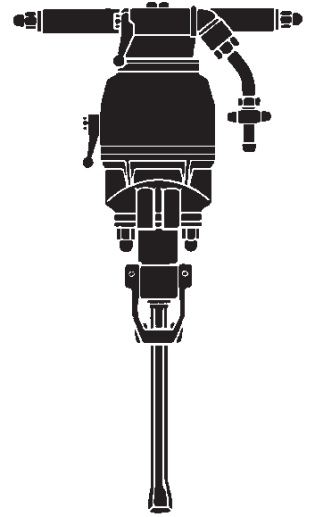


Spare parts list

Rock drills



Contents

General information.....	5
Spare parts list.....	6
RH 658 L.....	6
RH 658 LS.....	10
RH 658 L-01.....	14
Accessories.....	17
Accessories.....	17
Oversize parts.....	17
Rock drill AIR-OIL.....	18

General information

This spare parts list applies to the following:

Part number	Description
8311 0302 86	Rock drill RH 658 L
8311 0302 87	Rock drill RH 658 LS
8311 0302 89	Rock drill RH 658 L-01

Use only authorized parts. Any damage or malfunction caused by the use of unauthorized parts is not covered by Warranty or Product Liability. Any unauthorized use or copying of the contents or any part thereof is prohibited. This applies in particular to trademarks, model denominations, part numbers, and drawings.

Instructions for use

This spare parts list contains no safety regulations and is merely intended to assist in the ordering of spare parts.

For information about operating, servicing, or repairing, the relevant Safety and operating instructions must be consulted at all costs.

Please observe the safety instructions listed in the relevant Safety and operating instructions!

Spare parts list

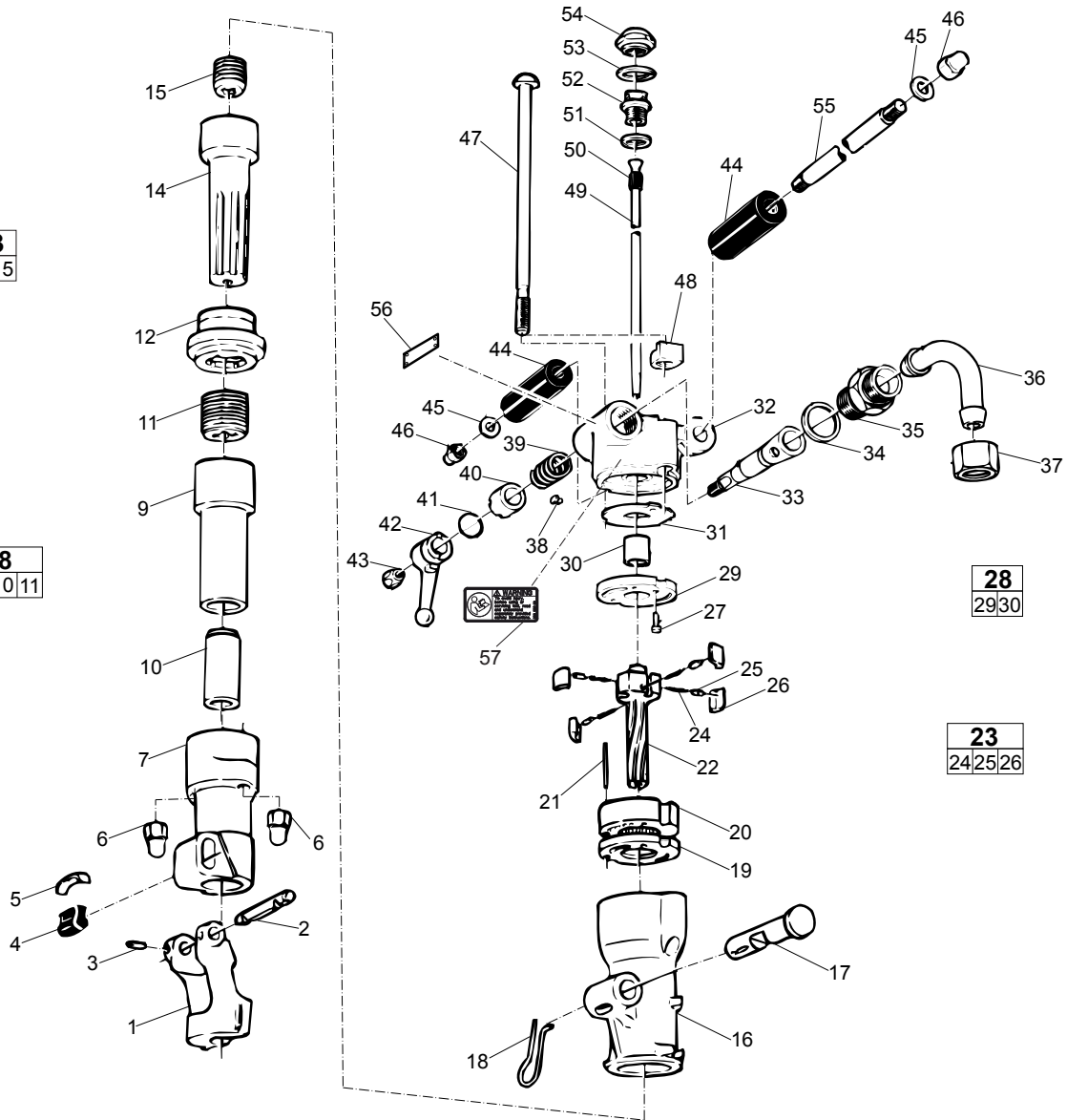
RH 658 L

13
14|15

8
9|10|11

28
29|30

23
24|25|26



No.	Description	Remark	Quantity	Part number
1	Drill steel retainer	Hexagon 22 mm Hexagon 7/8 in.	1	3121 0851 00
2	Retainer pin		1	3121 0852 00
3	Tension pin		2	0108 3392 00
4	Rubber buffer		1	3121 0030 00
5	Buffer plate		1	3121 0029 00
6	Dome nut		2	3121 0292 00
7	Front head		1	3121 0342 00
8(9-11)	Rotation chuck, complete		1	3121 0769 80
9	Rotation chuck		1	-
10	Rotation chuck bushing	Hexagon 22 x 108 mm Hexagon 7/8 x 4 1/4 in.	1	3121 0023 00
11	Chuck nut		1	3115 1221 00
12	Intermediate part		1	3121 0339 00
13(14-15)	Piston, complete		1	3100 8478 80
14	Piston		1	-
15	Rifle nut		1	3100 9299 05
16	Cylinder		1	3121 0337 00
17	Outlet valve		1	3115 1778 00
18	Lever for extra blowing		1	3115 1779 00
19	Guide disc		1	3106 8683 00
20	Ratchet box		1	3106 8682 00
21	Tension pin	Ø 6 x 60 mm Ø 0.24 x 2.36 in.	1	0108 1336 00
22	Rifle bar		1	3101 3154 00
23(24-26)	Pawl, complete		1	3115 9200 90
24	Pressure spring		4	3100 9140 02
25	Plunger		4	3100 9641 01
26	Pawl		4	3101 3159 00
27	Guide pin		1	3100 9665 00
28(29-30)	Cover, complete		1	3106 8680 80
29	Cover		1	-
30	Bushing		1	3100 9894 01
31	Main valve		1	3106 8681 00
32	Back head		1	3115 0569 00
33	Throttle valve		1	3121 0349 00
34	Washer		1	3115 1045 00
35	Adapter		1	9000 0345 00
36	Hose nipple	Ø 19 mm Ø 3/4 in.	1	3115 1170 00
37	Cap nut		1	9000 0333 00
38	Pin		1	3121 0329 00
39	Coil spring		1	3121 5000 51
40	Lock washer		1	3121 0332 00
41	O-ring		1	0663 2128 00
42	Throttle lever		1	3115 0573 00
43	Nut		1	3006 8734 00
44	Handle grip		2	3101 1372 00
45	Washer		2	3000 0119 01
46	Dome nut		2	3121 0292 00
47	Side bolt		2	3121 0343 00
48	Washer		2	3115 0574 00
49	Air flushing tube		1	3121 0352 00
50	Packing		1	3121 0336 00

No.	Description	Remark	Quantity	Part number
51	Sealing washer		1	3000 9341 02
52	Adapter		1	3100 9623 01
53	Sealing washer		1	3101 4146 00
54	Protective nut		1	3100 9643 01
55	Handle bolt		1	3121 0360 00
56	Data plate		1	-
57	Safety label		1	3310 1602 00

RH 658 LS

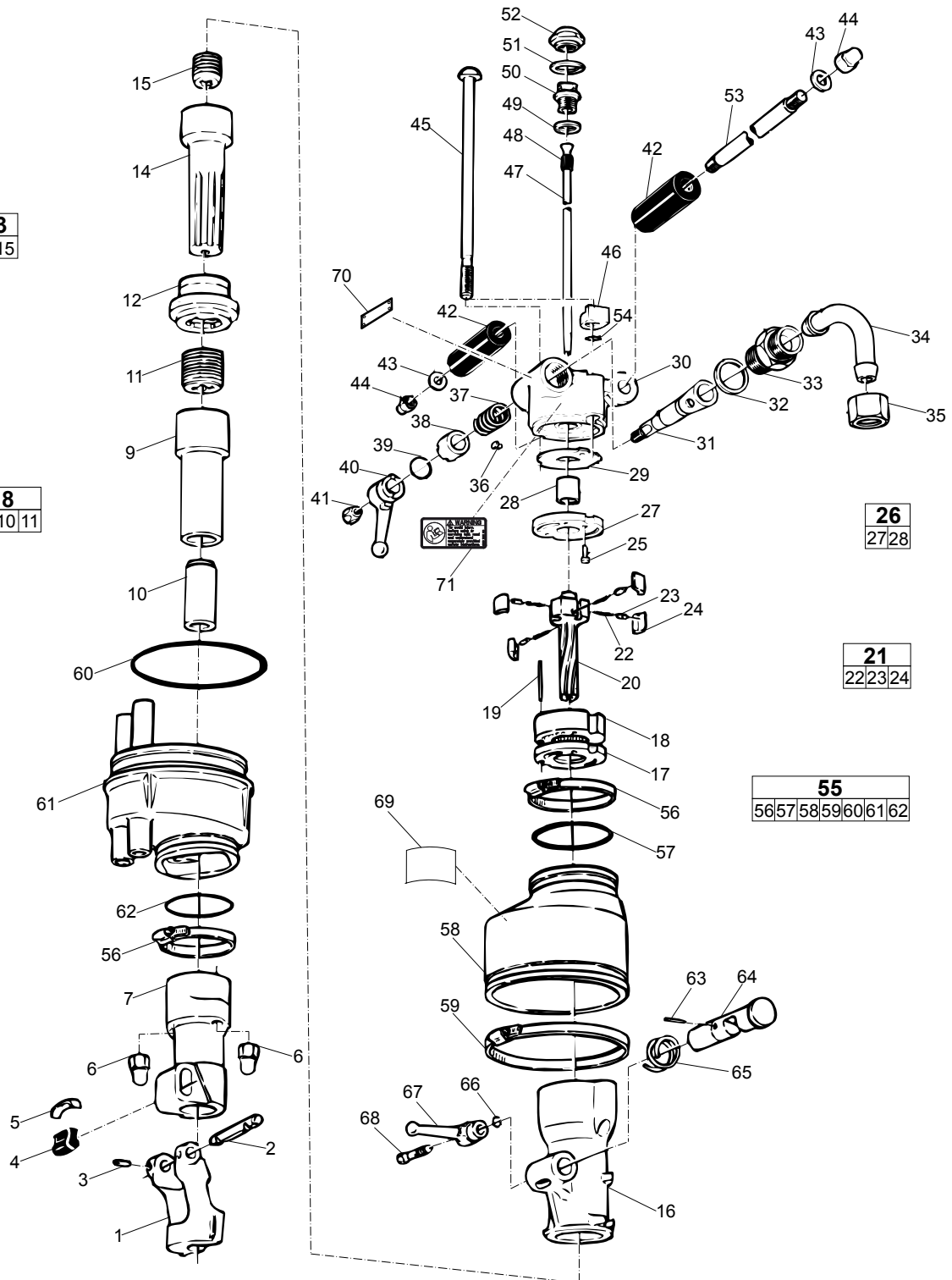
13
14 15

8
9 10 11

26
27 28

21
22 23 24

55
56 57 58 59 60 61 62



No.	Description	Remark	Quantity	Part number
1	Drill steel retainer	Hexagon 22 mm Hexagon 7/8 in.	1	3121 0851 00
2	Retainer pin		1	3121 0852 00
3	Tension pin		2	0108 3392 00
4	Rubber buffer		1	3121 0030 00
5	Buffer plate		1	3121 0029 00
6	Dome nut		2	3121 0292 00
7	Front head		1	3121 0342 00
8(9-11)	Rotation chuck, complete		1	3121 0769 80
9	Rotation chuck		1	-
10	Rotation chuck bushing	Hexagon 22 x 108 mm Hexagon 7/8 x 4 1/4 in.	1	3121 0023 00
11	Chuck nut		1	3115 1221 00
12	Intermediate part		1	3121 0339 00
13(14-15)	Piston, complete		1	3100 8478 80
14	Piston		1	-
15	Rifle nut		1	3100 9299 05
16	Cylinder		1	3121 0337 00
17	Guide disc		1	3106 8683 00
18	Ratchet box		1	3106 8682 00
19	Tension pin	Ø 6 x 60 mm Ø 0.24 x 2.36 in.	1	0108 1336 00
20	Rifle bar		1	3101 3154 00
21(22-24)	Pawl, complete		1	3115 9200 90
22	Pressure spring		4	3100 9140 02
23	Plunger		4	3100 9641 01
24	Pawl		4	3101 3159 00
25	Guide pin		1	3100 9665 00
26(27-28)	Cover, complete		1	3106 8680 80
27	Cover		1	-
28	Bushing		1	3100 9894 01
29	Main valve		1	3106 8681 00
30	Back head		1	3115 0569 00
31	Throttle valve		1	3121 0349 00
32	Washer		1	3115 1045 00
33	Adapter		1	9000 0345 00
34	Hose nipple	Ø 19 mm Ø 3/4 in.	1	3115 1170 00
35	Cap nut		1	9000 0333 00
36	Pin		1	3121 0329 00
37	Coil spring		1	3121 5000 51
38	Lock washer		1	3121 0332 00
39	O-ring		1	0663 2128 00
40	Throttle lever		1	3115 0573 00
41	Nut		1	3006 8734 00
42	Handle grip		2	3101 1372 00
43	Washer		2	3000 0119 01
44	Dome nut		2	3121 0292 00
45	Side bolt		2	3121 0343 00
46	Washer		2	3115 0574 00
47	Air flushing tube		1	3121 0352 00
48	Packing		1	3121 0336 00
49	Sealing washer		1	3000 9341 02
50	Adapter		1	3100 9623 01

No.	Description	Remark	Quantity	Part number
51	Sealing washer		1	3101 4146 00
52	Protective nut		1	3100 9643 01
53	Handle bolt		1	3121 0360 00
54	O-ring		2	0663 2122 00
55(56-62)	Silencer, complete		1	3115 2486 80
56	Clamp		2	0347 6119 00
57	O-ring		1	0663 2100 36
58	Silencer, upper part		1	3115 2486 00
59	Clamp		1	0347 6122 00
60	O-ring		1	0663 2100 37
61	Silencer, lower part		1	3115 1428 00
62	O-ring		1	0663 2100 35
63	Tension pin		1	0108 3330 00
64	Outlet valve		1	3115 0576 00
65	Spring		1	3121 0338 00
66	O-ring		1	0663 2125 00
67	Lever for extra blowing		1	3115 0577 00
68	Screw		1	3115 0127 00
69	Noise level label		1	-
70	Data plate		1	-
71	Safety label		1	3310 1602 00

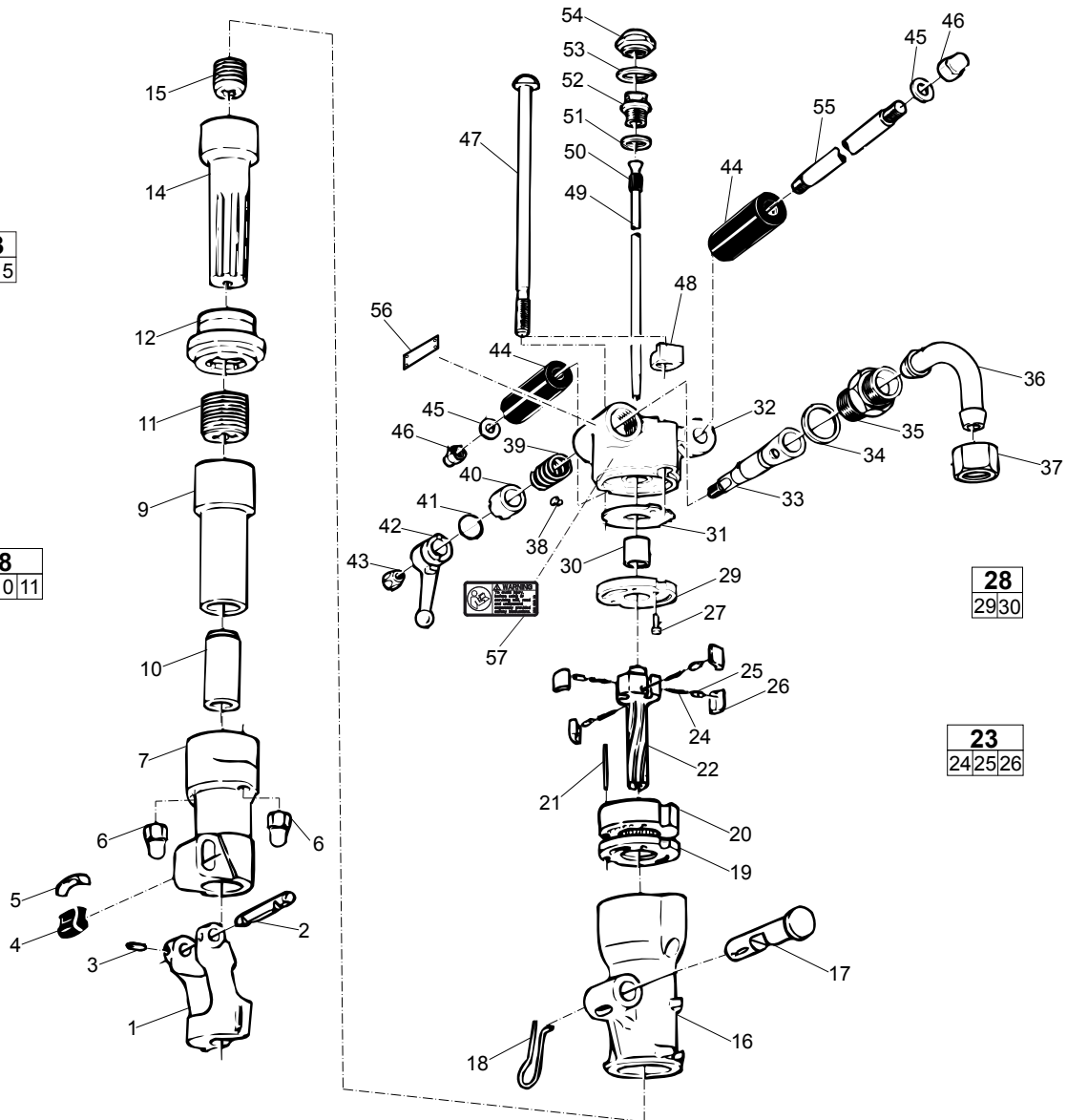
RH 658 L-01

13
14|15

8
9|10|11

28
29|30

23
24|25|26



No.	Description	Remark	Quantity	Part number
1	Drill steel retainer	Hexagon 25 mm Hexagon 1 in.	1	3121 0888 00
2	Retainer pin		1	3121 0852 00
3	Tension pin		2	0108 3392 00
4	Rubber buffer		1	3121 0030 00
5	Buffer plate		1	3121 0029 00
6	Dome nut		2	3121 0292 00
7	Front head		1	3121 0342 00
8(9-11)	Rotation chuck, complete		1	3121 0769 83
9	Rotation chuck		1	-
10	Rotation chuck bushing	Hexagon 25 x 108 mm Hexagon 1 x 4¼ in.	1	3115 1748 00
11	Chuck nut		1	3115 1221 00
12	Intermediate part		1	3121 0339 00
13(14-15)	Piston, complete		1	3100 8478 80
14	Piston		1	-
15	Rifle nut		1	3100 9299 05
16	Cylinder		1	3121 0337 00
17	Outlet valve		1	3115 1778 00
18	Lever for extra blowing		1	3115 1779 00
19	Guide disc		1	3106 8683 00
20	Ratchet box		1	3106 8682 00
21	Tension pin	Ø 6 x 60 mm Ø 0.24 x 2.36 in.	1	0108 1336 00
22	Rifle bar		1	3101 3154 00
23(24-26)	Pawl, complete		1	3115 9200 90
24	Pressure spring		4	3100 9140 02
25	Plunger		4	3100 9641 01
26	Pawl		4	3101 3159 00
27	Guide pin		1	3100 9665 00
28(29-30)	Cover, complete		1	3106 8680 80
29	Cover		1	-
30	Bushing		1	3100 9894 01
31	Main valve		1	3106 8681 00
32	Back head		1	3115 0569 00
33	Throttle valve		1	3121 0349 00
34	Washer		1	3115 1045 00
35	Adapter		1	9000 0345 00
36	Hose nipple	Ø 19 mm Ø ¾ in.	1	3115 1170 00
37	Cap nut		1	9000 0333 00
38	Pin		1	3121 0329 00
39	Coil spring		1	3121 5000 51
40	Lock washer		1	3121 0332 00
41	O-ring		1	0663 2128 00
42	Throttle lever		1	3115 0573 00
43	Nut		1	3006 8734 00
44	Handle grip		2	3101 1372 00
45	Washer		2	3000 0119 01
46	Dome nut		2	3121 0292 00
47	Side bolt		2	3121 0343 00
48	Washer		2	3115 0574 00
49	Air flushing tube		1	3121 0352 00
50	Packing		1	3121 0336 00

No.	Description	Remark	Quantity	Part number
51	Sealing washer		1	3000 9341 02
52	Adapter		1	3100 9623 01
53	Sealing washer		1	3101 4146 00
54	Protective nut		1	3100 9643 01
55	Handle bolt		1	3121 0360 00
56	Data plate		1	-
57	Safety label		1	3310 1602 00

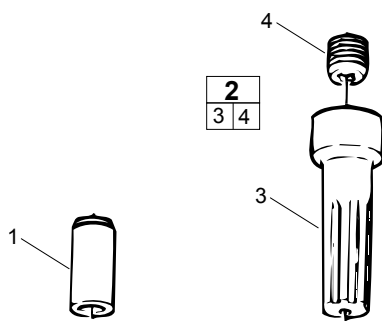
Accessories

Accessories

Description	Remark	Quantity	Part number
Gauge	Hexagon 22 mm Hexagon 7/8 in. Optional for RH 658 L and RH 658 LS.	1	9238 2707 90
Lubricator			
BLG 30, European type	For mineral oil.	1	8202 5102 05
CLG 30, European type	For both mineral and synthetic oil.	1	8202 5102 39
Water separator			
VAM 5A, European type	Airflow <120 l/s <254 cfm	1	8092 0110 82
Air line accessories			
Rubber hose, pre-mounted	20 mm 3/4 in.	1	9030 2047 00
X-LITE flat hose, universal	20 mm 3/4 in.	1	9030 2115 00

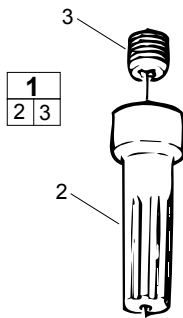
Oversize parts

RH 658 L, RH 658 LS



No.	Description	Remark	Quantity	Part number
1	Rotation chuck bushing	Hexagon 22 x 108 mm + 0.025 mm 7/8 in. x 4 1/4 in. + 0.001 in.	1	3121 0023 01
2(3-4)	Piston, complete	+ 0.03 mm + 0.001 in.	1	3100 8478 81
3	Piston		1	-
4	Rifle nut		1	3100 9299 05

RH 658 L-01



No.	Description	Remark	Quantity	Part number
1(2-3)	Piston, complete	+ 0.03 mm + 0.001 in.	1	3100 8478 81
2	Piston		1	-
3	Rifle nut		1	3100 9299 05

Rock drill AIR-OIL

Description	Remark	Quantity	Part number
Rock drill AIR-OIL	1 l 0.22 gallon	1	8099 0201 01
Rock drill AIR-OIL	1 l 0.22 gallon	12	8099 0201 81
Rock drill AIR-OIL	4 l 0.88 gallon	1	8099 0201 04
Rock drill AIR-OIL	4 l 0.88 gallon	4	8099 0201 84
Rock drill AIR-OIL	10 l 2.2 gallon	1	8099 0201 10

Any unauthorized use or copying of the contents or any part thereof is prohibited.
This applies in particular to trademarks, model denominations, part numbers, and
drawings.

© 2010 Atlas Copco Construction Tools AB | No. 9800 0128 01 | 2010-06-09

Atlas Copco

www.atlascopco.com