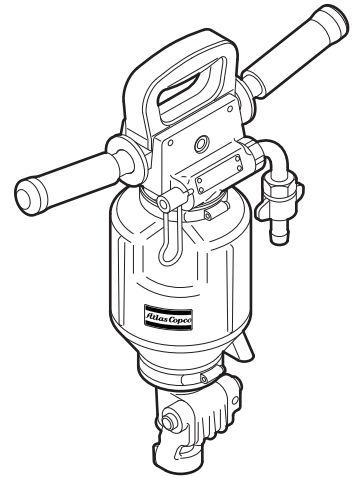


Spare parts list

Rock drills



Contents

General information.....	5
Spare parts list.....	6
BBD 15E.....	6
BBD 15ET.....	8
Accessories.....	11
Optional equipment.....	11
Rock drill AIR-OIL.....	11

General information

This spare parts list applies to the following:

Part number	Description
8311 0104 02	Rock drill BBD 15E, 19 x 108 mm ($\frac{3}{4}$ x 4 $\frac{1}{4}$ in.)
8311 0104 10	Rock drill BBD 15E, 22 x 108 mm ($\frac{7}{8}$ x 4 $\frac{1}{4}$ in.)
8311 0104 12	Rock drill BBD 15ET, 19 x 108 mm ($\frac{3}{4}$ x 4 $\frac{1}{4}$ in.)
8311 0104 13	Rock drill BBD 15ET, 22 x 108 mm ($\frac{7}{8}$ x 4 $\frac{1}{4}$ in.)

Use only authorized parts. Any damage or malfunction caused by the use of unauthorized parts is not covered by Warranty or Product Liability. Any unauthorized use or copying of the contents or any part thereof is prohibited. This applies in particular to trademarks, model denominations, part numbers, and drawings.

Instructions for use

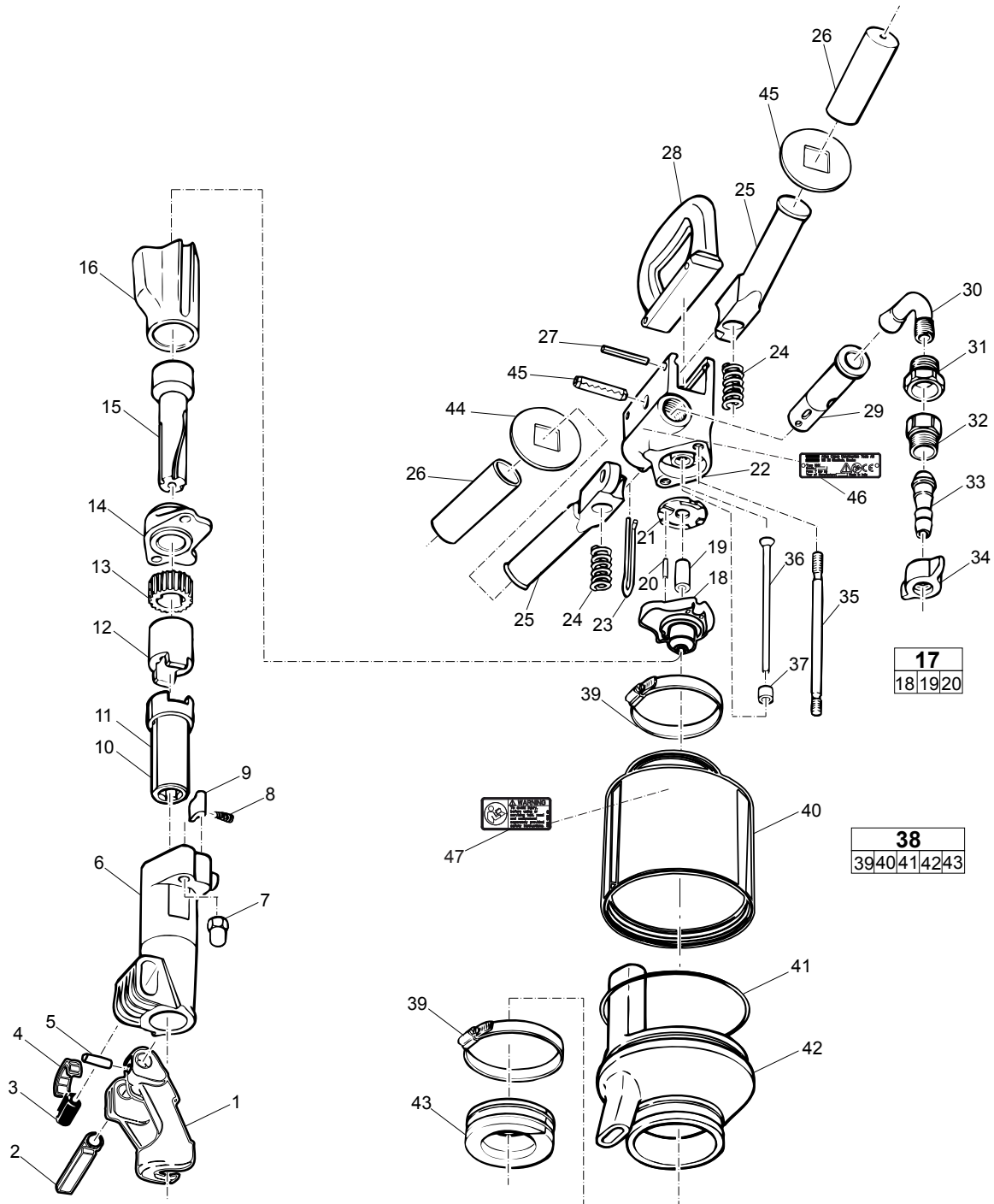
This spare parts list contains no safety regulations and is merely intended to assist in the ordering of spare parts.

For information about operating, servicing, or repairing, the relevant Safety and operating instructions must be consulted at all costs.

Please observe the safety instructions listed in the relevant Safety and operating instructions!

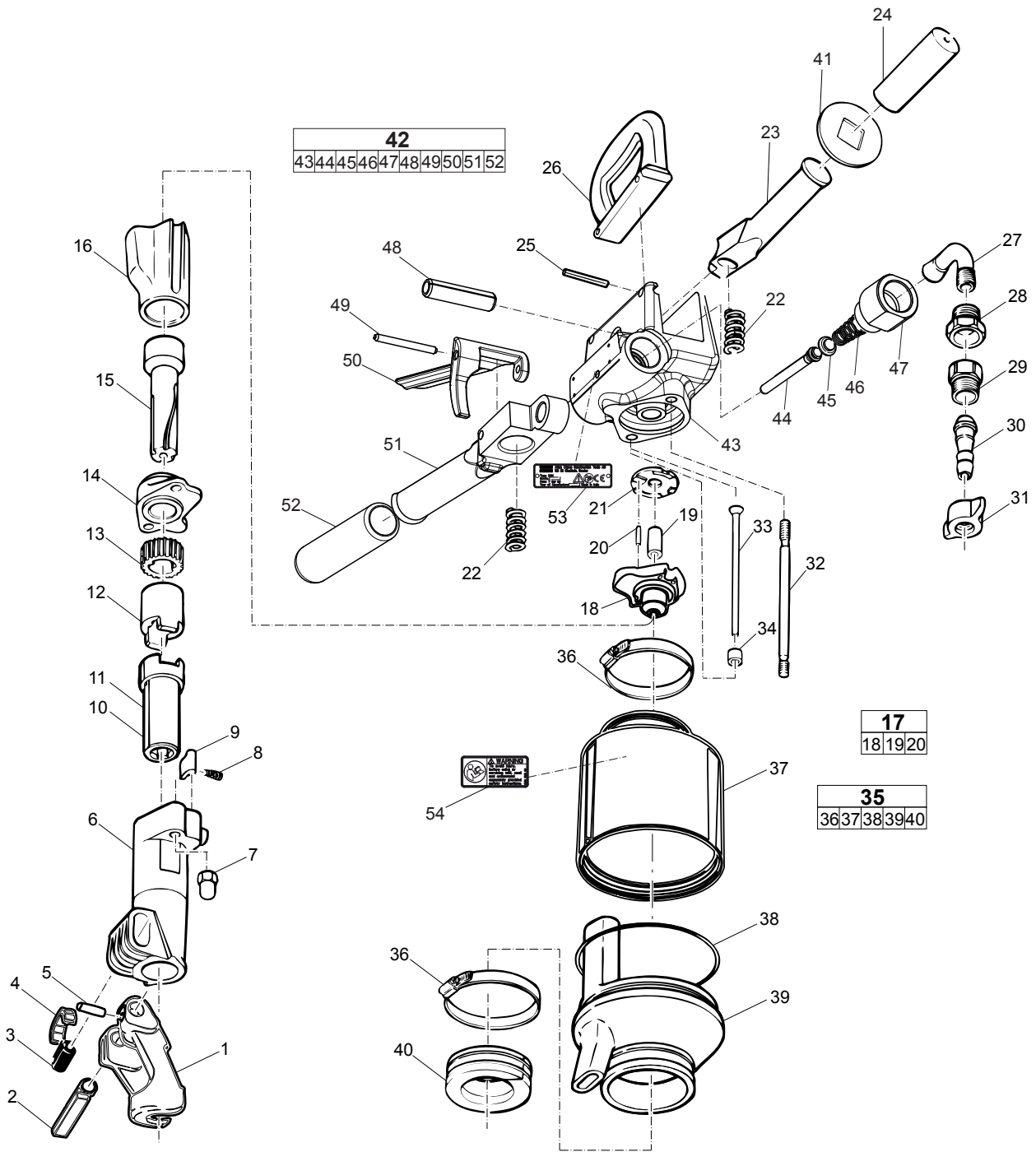
Spare parts list

BBD 15E



No.	Description	Remark	Quantity	Part number
1	Drill steel retainer		1	3115 2475 00
2	Retainer pin		1	3115 2068 00
3	Rubber buffer		1	3111 0057 00
4	Buffer plate		1	3111 0056 00
5	Slotted spring pin	Ø 8 x 32 mm Ø 0.31 x 1.26 in.	1	0108 1359 00
6	Front head		1	3111 0053 00
7	Cap nut		2	3111 0062 00
8	Conical spring		2	3111 0023 00
9	Pawl		2	3111 0020 00
10	Rotation chuck	19 x 108 mm ¾ x 4¼ in.	1	3111 0051 00
11	Rotation chuck	22 x 108 mm ⅞ x 4¼ in.	1	3111 0066 00
12	Driver		1	3111 0024 00
13	Ratchet wheel		1	3111 0019 00
14	Intermediate part		1	3111 0017 00
15	Piston		1	3111 0050 00
16	Cylinder		1	3111 0015 00
17(18-20)	Cover, complete		1	3111 0047 80
18	Cover		1	-
19	Bushing		1	3111 0048 00
20	Spiral spring pin	Ø 4 x 22 mm Ø 0.16 x 0.87 in.	1	0108 3241 00
21	Main valve		1	3111 0049 00
22	Throttle housing		1	3115 1966 00
23	Lever		1	3115 2086 00
24	Spring		2	3115 1889 00
25	Handle		2	3115 1886 00
26	Rubber sleeve		2	3310 0852 00
27	Slotted spring pin	Ø 8 x 60 mm Ø 0.31 x 2.36 in.	2	0108 1365 00
28	Handle		1	3115 2070 00
29	Valve		1	3115 1967 00
30	Inlet nipple		1	3111 0044 00
31	Adapter		1	3111 0043 00
32	Adapter		1	3000 5825 02
33	Hose nipple	Ø 19 mm Ø ¾ in.	1	3115 1543 00
34	Wing nut		1	9000 0338 00
35	Side bolt		2	3115 1969 00
36	Flushing tube		1	3111 0045 00
37	Gasket		1	3111 0095 00
38(39-43)	Silencer, complete		1	3115 2488 80
39	Hose clamp	Ø 77-89 mm Ø 3.03-3.50 in.	2	0347 6116 00
40	Silencer, upper part		1	3115 2488 00
41	O-ring		1	0663 6151 00
42	Silencer, lower part		1	3115 0772 00
43	Bushing		1	3115 0773 00
45	Rubber washer		2	3115 2478 00
45	Spring pin	Ø 16 x 65 mm Ø 0.63 x 2.56 in.	1	0108 1690 32
46	Data plate		1	-
47	Safety label		1	3310 1602 00

BBD 15ET



No.	Description	Remark	Quantity	Part number
1	Drill steel retainer		1	3115 2475 00
2	Retainer pin		1	3115 2068 00
3	Rubber buffer		1	3111 0057 00
4	Buffer plate		1	3111 0056 00
5	Slotted spring pin	Ø 8 x 32 mm Ø 0.31 x 1.26 in.	1	0108 1359 00
6	Front head		1	3111 0053 00
7	Cap nut		2	3111 0062 00
8	Conical spring		2	3111 0023 00
9	Pawl		2	3111 0020 00
10	Rotation chuck	19 x 108 mm ¾ x 4¼ in.	1	3111 0051 00
11	Rotation chuck	22 x 108 mm ⅞ x 4¼ in.	1	3111 0066 00
12	Driver		1	3111 0024 00
13	Ratchet wheel		1	3111 0019 00
14	Intermediate part		1	3111 0017 00
15	Piston		1	3111 0050 00
16	Cylinder		1	3111 0015 00
17(18-20)	Cover, complete		1	3111 0047 80
18	Cover		1	-
19	Bushing		1	3111 0048 00
20	Spiral spring pin	Ø 4 x 22 mm Ø 0.16 x 0.87 in.	1	0108 3241 00
21	Main valve		1	3111 0049 00
22	Spring		2	3115 1889 00
23	Handle		1	3115 1886 00
24	Rubber sleeve		1	3310 0852 00
25	Slotted spring pin	Ø 8 x 60 mm Ø 0.31 x 2.36 in.	2	0108 1365 00
26	Handle		1	3115 2070 00
27	Inlet nipple		1	3111 0044 00
28	Adapter		1	3111 0043 00
29	Adapter		1	3000 5825 02
30	Hose nipple	Ø 16 mm Ø ⅝ in.	1	9000 0101 00
31	Wing nut		1	9000 0338 00
32	Side bolt		2	3115 1969 00
33	Flushing tube		1	3111 0045 00
34	Gasket		1	3111 0095 00
35(36-40)	Silencer, complete		1	3115 2488 80
36	Hose clamp	Ø 77-89 mm Ø 3.03-3.50 in.	2	0347 6116 00
37	Silencer, upper part		1	3115 2488 00
38	O-ring		1	0663 6151 00
39	Silencer, lower part		1	3115 0772 00
40	Bushing		1	3115 0773 00
41	Rubber washer		1	3115 2478 00
42(43-52)	Handle, complete		1	8311 0104 95
43	Back head		1	3115 2490 00
44	Valve stem		1	3115 2493 00
45	Valve cone		1	3310 0288 00
46	Conical spring		1	3310 0326 00
47	Adapter		1	3115 2494 00

No.	Description	Remark	Quantity	Part number
48	Spring pin	Ø 16 x 65 mm Ø 0.63 x 2.56 in.	1	0108 1690 32
49	Spring pin	Ø 6 x 60 mm Ø 0.24 x 2.36 in.	1	0108 1336 00
50	Trigger		1	3115 2492 00
51	Handle right		1	3115 2491 00
52	Sleeve		1	3115 2495 00
53	Data plate		1	-
54	Safety label		1	3310 1602 00

Accessories

Optional equipment

Description	Dimensions	Quantity	Part number
Lubricator CLG 30, European type claw couplings	For mineral & synthetic oil	1	8202 5102 39
Lubricator CLG 30, US type claw couplings	For mineral & synthetic oil	1	8202 5102 40
Lubricator BLG 30, European type claw couplings	For mineral oil	1	8202 5102 05
Lubricator BLG 30, US type claw couplings	For mineral oil	1	8202 5102 14
Water separator VAM 01, European type claw couplings	Airflow < 50 l/s Airflow < 106 ft ³ /min	1	8092 0110 58
Water separator VAM 01, US type claw couplings	Airflow < 50 l/s Airflow < 106 ft ³ /min	1	8092 0110 59
Water separator VAM 5A, European type claw couplings	Airflow < 120 l/s Airflow < 254 ft ³ /min	1	8092 0110 82
Water separator VAM 5A, US type claw couplings	Airflow < 120 l/s Airflow < 254 ft ³ /min	1	8092 0110 83
Hose nipple (Standard on BBD 15E)	Ø ¾ in. Ø 19 mm	1	3115 1543 00
Rubber hose, pre-mounted with European type claw couplings (3 m)	Ø ¾ in. Ø 19 mm	1	9030 2047 00
Rubber hose, pre-mounted with US type claw couplings (3m)	Ø ¾ in. Ø 19 mm	1	9030 2065 00
X-LITE flat hose, pre-mounted with European type claw couplings (3 m)	Ø ¾ in. Ø 19 mm	1	9030 2163 00
Hose nipple (Standard on BBD 15ET)	Ø ½ in. Ø 16 mm	1	9000 0101 00
Rubber hose, pre-mounted with European type claw couplings (3 m)	Ø ½ in. Ø 16 mm	1	9030 2046 00

Rock drill AIR-OIL

Description	Remark	Quantity	Part number
Rock drill AIR-OIL	1 l 0.22 US gal	1	8099 0201 01
Rock drill AIR-OIL	1 l 0.22 US gal	12	8099 0201 81
Rock drill AIR-OIL	4 l 0.88 US gal	1	8099 0201 04
Rock drill AIR-OIL	4 l 0.88 US gal	4	8099 0201 84
Rock drill AIR-OIL	10 l 2.2 US gal	1	8099 0201 10

Any unauthorized use or copying of the contents or any part thereof is prohibited.
This applies in particular to trademarks, model denominations, part numbers, and
drawings.

© 2010 Atlas Copco Construction Tools AB | No. 9800 1151 01 | 2010-07-02

Atlas Copco

www.atlascopco.com