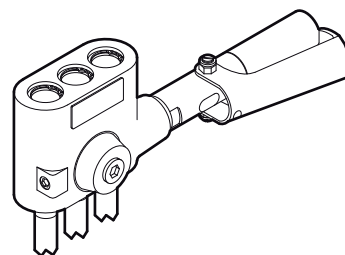


Spare parts list

Pneumatic scabbler

CP 0066



Contents

- General information** 5
- Spare parts list** 6
 - CP 0066..... 6
- Accessories**..... 8
 - Hose rolls..... 8
 - Pre-mounted universal hoses with claw couplings..... 8
 - Water separator..... 9

General information

This spare parts list applies to the following:

Description

Pneumatic scabbler CP 0066

Use only authorized parts. Any damage or malfunction caused by the use of unauthorized parts is not covered by Warranty or Product Liability. Any unauthorized use or copying of the contents or any part thereof is prohibited. This applies in particular to trademarks, model denominations, part numbers, and drawings.

Instructions for use

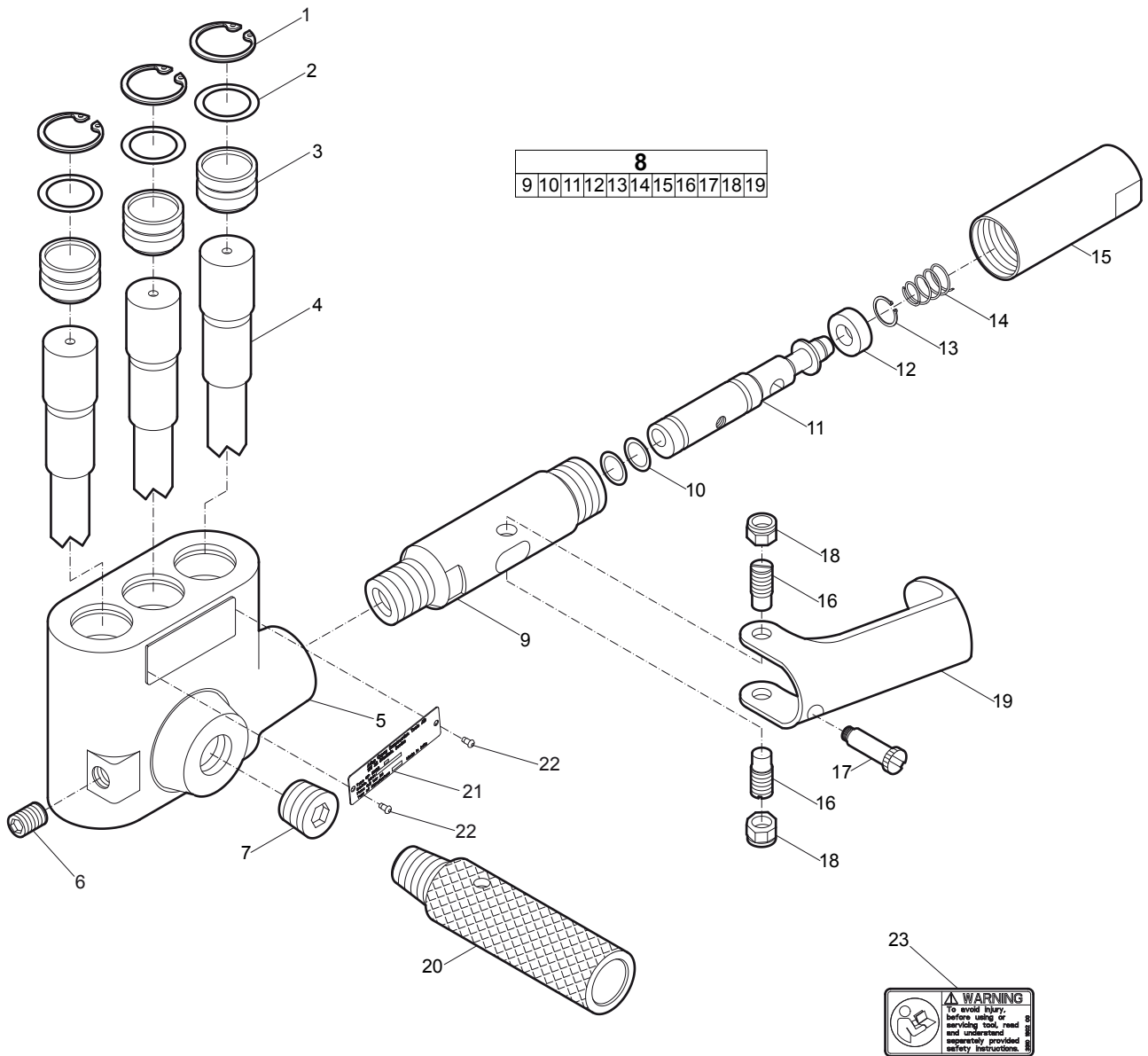
This spare parts list contains no safety regulations and is merely intended to assist in the ordering of spare parts.

For information about operating, servicing, or repairing, the relevant Safety and operating instructions must be consulted at all costs.

Please observe the safety instructions listed in the relevant Safety and operating instructions!

Spare parts list

CP 0066



23

WARNING

To avoid injury, before using or servicing tool, read and understand separately provided safety instructions.

No.	Description	Remark	Quantity	Part number
1	Circlip	Internal	3	R147622
2	O-ring		3	C083177
3	Cylinder cap		3	R147614
4	Piston		3	R145921
5	Cylinder		1	R147611
6	Screw		1	R147616
7	Plug		1	C068064
8(9-19)	Live air handle, complete		1	R147915
9	Live air handle		1	R147607
10	O-ring		2	A043001
11	Throttle valve		1	R147609
12	Washer		1	R147618
13	Retaining ring		1	R147619
14	Spring		1	R147615
15	Inlet nipple		1	R147613
16	Screw		2	R147617
17	Slotted head screw		1	R147621
18	Nut		2	R147620
19	Lever		1	R147612
20	Side handle		1	R147608
21	Data plate		1	-
22	Drive screw		2	0244 4144 00
23	Safety label		1	3310 1602 00

Accessories

Hose rolls

Metric

Description	Inner diameter (mm)	Thickness (mm)	Maximum working pressure (bar)	Length of roll (m)	Weight (kg)	Part number
Red-X hose roll	19	2.0	20	60	11	8900 0050 10
Red-X hose roll	19	2.0	20	100	18	8900 0050 11
Red-X hose roll	19	2.0	20	200	36	8900 0050 12
Red-X hose roll	25	2.5	20	60	15	8900 0050 20
Red-X hose roll	25	2.5	20	100	25	8900 0050 21
Red-X hose roll	25	2.5	20	200	50	8900 0050 22

Imperial

Description	Inner diameter (in.)	Thickness (in.)	Maximum working pressure (psi)	Length of roll (ft)	Weight (lb)	Part number
Red-X hose roll	$\frac{3}{4}$	$\frac{5}{64}$	290	195	24.3	8900 0050 10
Red-X hose roll	$\frac{3}{4}$	$\frac{5}{64}$	290	325	39.7	8900 0050 11
Red-X hose roll	$\frac{3}{4}$	$\frac{5}{64}$	290	650	79.4	8900 0050 12
Red-X hose roll	1	$\frac{3}{32}$	290	195	33.1	8900 0050 20
Red-X hose roll	1	$\frac{3}{32}$	290	325	55.1	8900 0050 21
Red-X hose roll	1	$\frac{3}{32}$	290	650	110.2	8900 0050 22

Pre-mounted universal hoses with claw couplings

Metric

Description	Inner diameter (mm)	Thickness (mm)	Maximum working pressure (bar)	Length of roll (m)	Weight (kg)	Part number
Red-X universal hose	19	2.0	20	20	4.5	8900 0050 09
Red-X universal hose	25	2.5	20	20	6.0	8900 0050 23

Imperial

Description	Inner diameter (in.)	Thickness (in.)	Maximum working pressure (psi)	Length of roll (ft)	Weight (lb)	Part number
Red-X universal hose	$\frac{3}{4}$	$\frac{5}{64}$	290	50	8.8	8900 0050 08
Red-X universal hose	1	$\frac{3}{32}$	290	50	11.0	8900 0050 24

Water separator

Metric

Description	Hose connection (mm)	Air flow (l/s)	Weight (kg)	Part number
Water separator (¾ in. BSP)	20	61	0.8	8900 0050 00

Imperial

Description	Hose connection (in.)	Air flow (foot ³ /min)	Weight (lb)	Part number
Water separator (¾ in. NPT)	¾	130	1.8	8900 0050 01

