

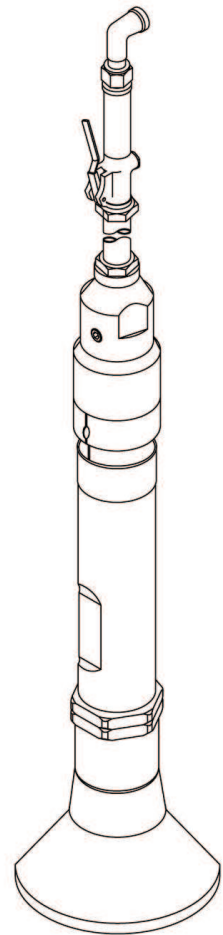


**Chicago
Pneumatic**

Spare parts list

Pneumatic tampers

CP 0003



Contents

- General information** 5
- Spare parts list** 6
- Accessories** 8
 - Butts 8
 - Hose rolls 8
 - Pre-mounted universal hoses with claw couplings 9
 - Water separator 9
 - Lubricator 9
 - CP airolene plus tool oil 10

General information

This spare parts list applies to the following:

Description

Pneumatic tamper CP 0003

Use only authorized parts. Any damage or malfunction caused by the use of unauthorized parts is not covered by Warranty or Product Liability. Any unauthorized use or copying of the contents or any part thereof is prohibited. This applies in particular to trademarks, model denominations, part numbers, and drawings.

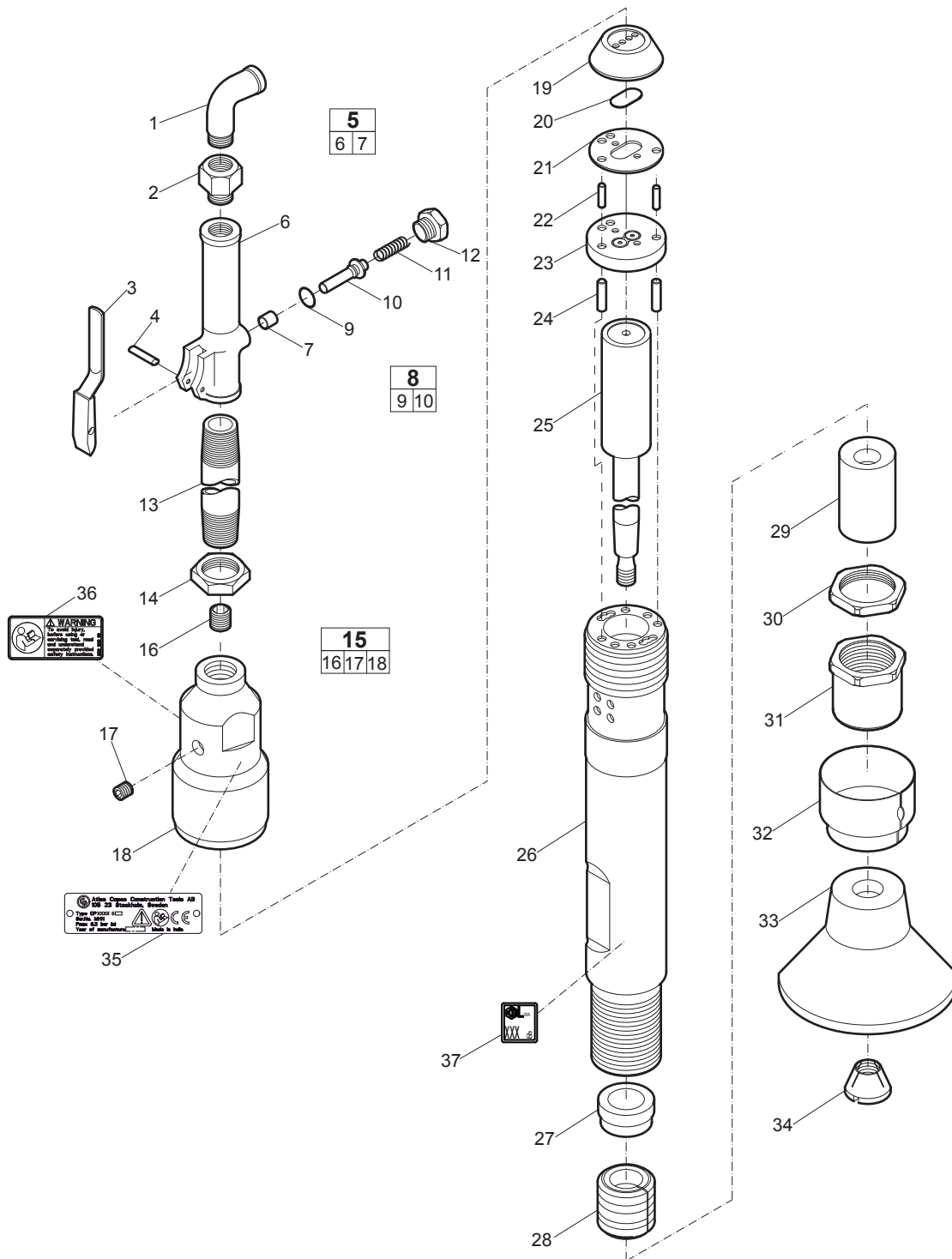
Instructions for use

This spare parts list contains no safety regulations and is merely intended to assist in the ordering of spare parts.

For information about operating, servicing, or repairing, the relevant Safety and operating instructions must be consulted at all costs.

Please observe the safety instructions listed in the relevant Safety and operating instructions!

Spare parts list



No.	Description	Remark	Quantity	Part number
1	Elbow - Street	½" - 90	1	R072457
2	Strainer - Air		1	P001995
3	Lever - Valve		1	P001903
4	Pin - Lever		1	P001921
5(6-7)	Body - Throttle valve, complete		1	P007350
6	Body - Throttle valve		1	-
7	Bushing - Throttle valve		1	P001814
8(9-10)	Valve - Throttle, complete		1	P087671
9	O-ring		1	CA088867
10	Valve - Throttle		1	-
11	Spring - Throttle valve		1	P001858
12	Cap - Valve		1	P001964
13	Pipe - Extension		1	P071147
14	Locknut - Pipe		2	F003087
15(16-18)	Cylinder head, complete		1	P078139
16	Plug - Oil regulating		1	P084132
17	Plug - Filler		1	C068799
18	Cylinder head		1	-
19	Lid - Upper case		1	P073185
20	Valve		1	P071358
21	Case - Valve		1	P073187
22	Dowel - Valve case		2	P073120
23	Lid - Lower case		1	P073118
24	Dowel - Cylinder		2	P073119
25	Piston		1	P089009
26	Cylinder		1	-
27	Bushing - Piston rod		1	P070649
28	Packing - Piston		1	P071390
29	Bushing - Piston rod		1	P070646
30	Locknut - Retainer		1	P070931
31	Retainer - Piston bushing		1	P070651
32	Deflector - Exhaust		1	P070643
33	Butt	Aluminum. Ø127 mm Ø5 in	1	P089008
34	Locknut - Butt		1	P089006
35	Data plate		1	-
36	Safety label		1	3310 1602 00
37	Sound power label		1	-

Accessories

Butts

Metric

Description	Remark	Diameter (mm)	Part number
Butt	Cast iron	146	3303 0050 82
Butt, concave	Cast iron	-	3303 0050 84
Butt	Aluminum	127	P089008

Imperial

Description	Remark	Diameter (in)	Part number
Butt	Cast iron	5¾	3303 0050 82
Butt, concave	Cast iron	-	3303 0050 84
Butt	Aluminum	5	P089008

Hose rolls

Metric

Description	Inner diameter (mm)	Thickness (mm)	Maximum working pressure (bar)	Length of roll (m)	Weight (kg)	Part number
Red-X hose roll	19	2.0	20	60	11	8900 0050 10
Red-X hose roll	19	2.0	20	100	18	8900 0050 11
Red-X hose roll	19	2.0	20	200	36	8900 0050 12
Red-X hose roll	25	2.5	20	60	15	8900 0050 20
Red-X hose roll	25	2.5	20	100	25	8900 0050 21
Red-X hose roll	25	2.5	20	200	50	8900 0050 22

Imperial

Description	Inner diameter (in.)	Thickness (in.)	Maximum working pressure (psi)	Length of roll (ft)	Weight (lb)	Part number
Red-X hose roll	¾	⅝	290	195	24.3	8900 0050 10
Red-X hose roll	¾	⅝	290	325	39.7	8900 0050 11
Red-X hose roll	¾	⅝	290	650	79.4	8900 0050 12
Red-X hose roll	1	⅜	290	195	33.1	8900 0050 20
Red-X hose roll	1	⅜	290	325	55.1	8900 0050 21
Red-X hose roll	1	⅜	290	650	110.2	8900 0050 22

Pre-mounted universal hoses with claw couplings

Metric

Description	Inner diameter (mm)	Thickness (mm)	Maximum working pressure (bar)	Length of roll (m)	Weight (kg)	Part number
Red-X universal hose	19	2.0	20	20	4.5	8900 0050 09
Red-X universal hose	25	2.5	20	20	6.0	8900 0050 23

Imperial

Description	Inner diameter (in.)	Thickness (in.)	Maximum working pressure (psi)	Length of roll (ft)	Weight (lb)	Part number
Red-X universal hose	¾	¼	290	50	8.8	8900 0050 08
Red-X universal hose	1	⅜	290	50	11.0	8900 0050 24

Water separator

Metric

Description	Hose connection (mm)	Air flow (l/s)	Weight (kg)	Part number
Water separator (¾" BSP)	20	61	0.8	8900 0050 00

Imperial

Description	Hose connection (in.)	Air flow (foot ³ /min)	Weight (lb)	Part number
Water separator (¾" NPT)	¾	130	1.8	8900 0050 01

Lubricator

Metric

Description	Hose connection (mm)	Air flow (l/s)	Oil volume (l)	Weight (kg)	Part number
Lubricator 1300 (1" BSP)	25	15-140	1.3	3	8900 0050 02

Imperial

Description	Hose connection (in.)	Air flow (foot ³ /min)	Oil volume (US gallon)	Weight (lb)	Part number
Lubricator 43 (1" NPT)	1	32-300	0.34	6.6	8900 0050 07

CP airolene plus tool oil

Metric

Description	Oil volume (l)	Part number
5 l container	5	8099 0202 49
4 x 5 l container	20	8099 0202 51

Imperial

Description	Oil volume (US gallon)	Part number
1.32 US gallon container	1.32	8099 0202 49
4 x 1.32 US gallon container	5.28	8099 0202 51



2010-04 | No. 9800 0532 01

© Copyright Atlas Copco Construction Tools AB | STOCKHOLM • SWEDEN